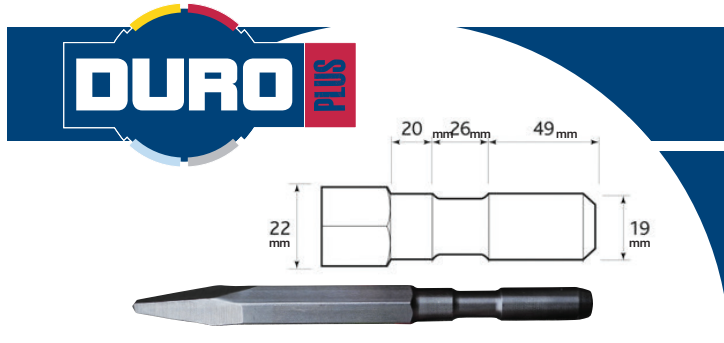




BREAKER STEELS

BALL RETAINER CHUCK (CP9S SHANK)



CP9S SHANK BALL RETAINER CHUCK

DESCRIPTION	PART NO.	LIST
Point - 250mm o/a length	CP9S-P250	£14.27
Narrow chisel - 250mm o/a length	CP9S-NC250	£14.27
75mm wide chisel - 250mm o/a length	CP9S-WC250	£33.32

POINT



The most common of the demolition steels used for general breaking where there is not a requirement to control the line of fracture.

NARROW CHISEL



Narrow chisel used in a similar way to the moil point but the line of fracture is controlled along the line of the chisel end. Used on applications where it is important to have a clean edge retained on the work-piece to be broken.

WIDE CHISEL / BOLSTER CHISEL



Wide chisel or bolster chisel used in a similar way to the moil point but the line of fracture is controlled along the line of the chisel end. Used on applications where it is important to have a clean edge retained on the work-piece to be broken.

AN EXTENSIVE RANGE OF BREAKERS AVAILABLE FROM OUR SISTER COMPANY YOKOTA UK

 YOKOTAUK

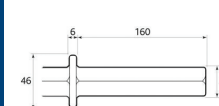


HOW TO SELECT YOUR DURO BREAKER STEEL

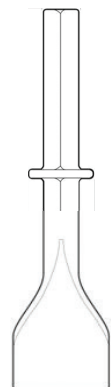
1. Choose the kind of application you need to undertake and therefore the breaker steel type you need to achieve.
2. Then select the machine type you will be using - pneumatic or electric



FOR EXAMPLE:
75MM WIDE CHISEL



REQUIRED TO BE USED WITH A 32X160 HEX SHANK BREAKER



THE PRO-LINE FROM DURO, OFFERING PROFESSIONAL LEVEL TOOLS AT VERY COMPETITIVE PRICE LEVELS. THIS RANGE IS RENOWNED FOR OFFERING GREAT QUALITY, PERFORMANCE AND VALUE TOOLS WITH VERY HIGH OUTPUT.

